

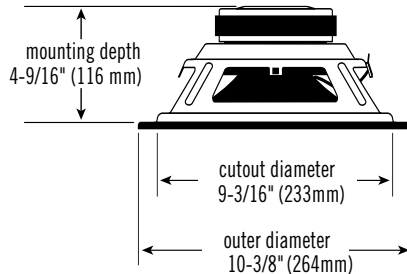
JBL

GTO 1002D 10" Woofer – Technical Data

SPECIFICATIONS

DIAMETER:	10" (254mm)
SENSITIVITY (2.83 V @ 1m):	91 dB
POWER HANDLING:	250 W _{RMS} 1000 W _{PEAK}
FREQUENCY RESPONSE:	25 ~ 400 Hz
NOMINAL IMPEDANCE:	1 OR 4 OHMS
VOICE-COIL DIAMETER:	2.0" (51.0 mm)

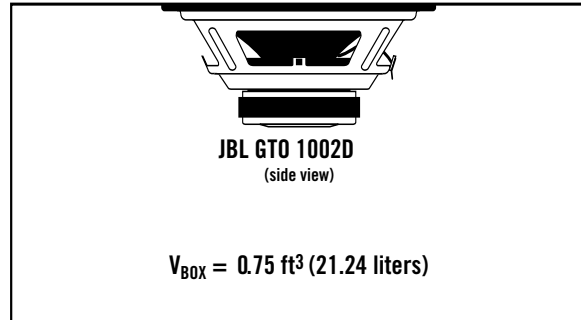
DIMENSIONS:



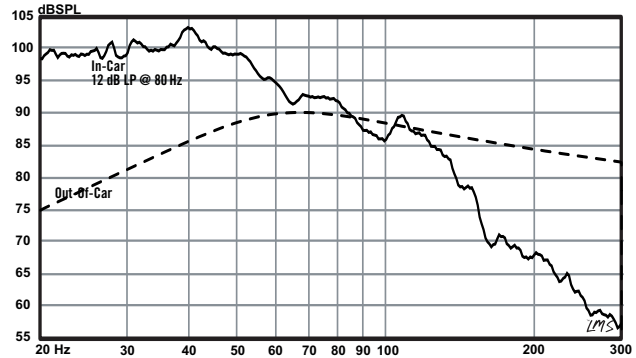
THIELE-SMALL PARAMETERS

VOICE COIL DC RESISTANCE:	R_{EVC} (OHMS) 1.00
VOICE COIL INDUCTANCE @ 1 kHz:	L_{EVC} (MH) 0.72
DRIVER RADIATING AREA:	S_D (IN ²) 55.03
	S_D (M ²) 355.00
MOTOR FORCE FACTOR:	BL (TM) 7.70
COMPLIANCE VOLUME:	V_{AS} (FT ³) 1.37
	V_{AS} (LITERS) 38.70
SUSPENSION COMPLIANCE:	C_{MS} (μM/N) 215.20
MOVING MASS, AIR LOAD:	M_{MS} (GRAMS) 160.40
MOVING MASS, DIAPHRAGM:	M_{MD} (GRAMS) 156.50
FREE-AIR RESONANCE:	F_S (Hz) 27.00
MECHANICAL Q:	Q_{MS} 6.45
ELECTRICAL Q:	Q_{ES} 0.46
TOTAL Q:	Q_{TS} 0.43
MAGNETIC-GAP HEIGHT:	H_{AG} (IN) 3/8
	H_{AG} (MM) 9.00
VOICE-COIL HEIGHT:	H_{VC} (IN) 1-5/16
	H_{VC} (MM) 34
MAXIMUM EXCURSION:	X_{MAX} (IN) 1/2
	X_{MAX} (MM) 12.50

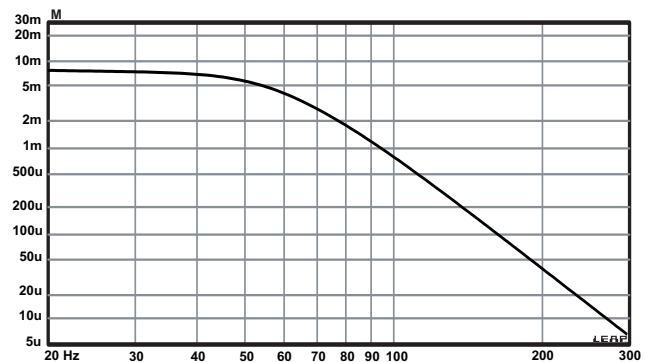
SEALED BOX VOLUME (INCLUDES DRIVER DISPLACEMENT)



SEALED ENCLOSURE FREQUENCY RESPONSE @ 2.83 V



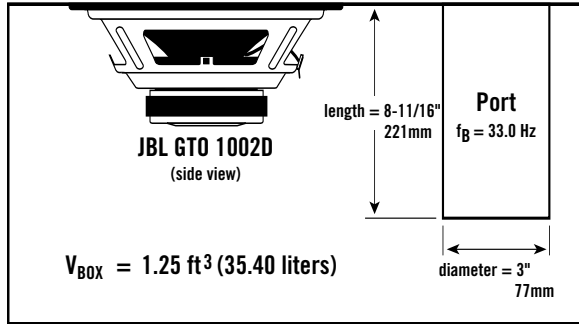
SEALED ENCLOSURE CONE EXCURSION @ 250 W



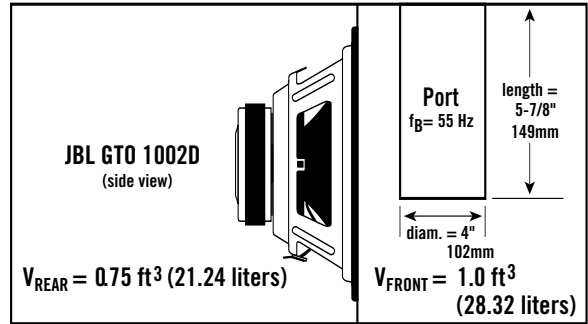


GTO 1002D 10" Woofer – Technical Data

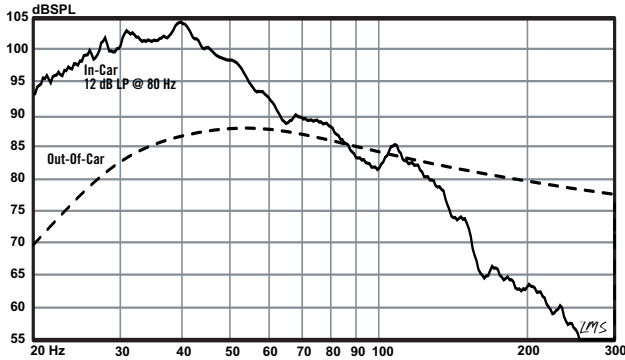
VENTED BOX VOLUME (INCLUDES DRIVER/PORT DISPLACEMENTS)



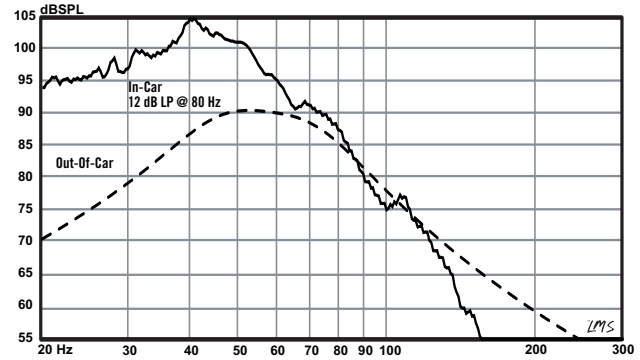
BANDPASS BOX VOLUME (INCLUDES DRIVER/PORT DISPLACEMENTS)



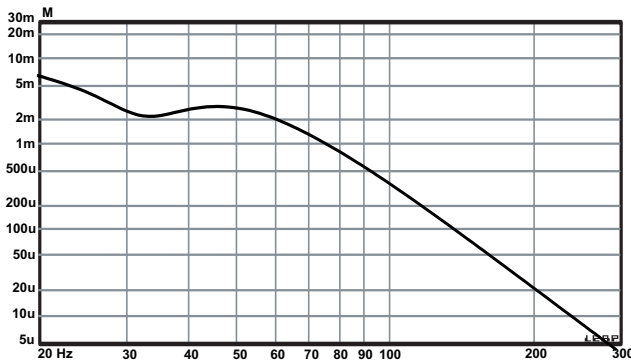
VENTED ENCLOSURE FREQUENCY RESPONSE @ 2.83 V



BANDPASS ENCLOSURE FREQUENCY RESPONSE @ 2.83 V



VENTED ENCLOSURE CONE EXCURSION @ 250 W



BANDPASS ENCLOSURE CONE EXCURSION @ 250 W

